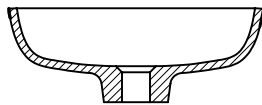
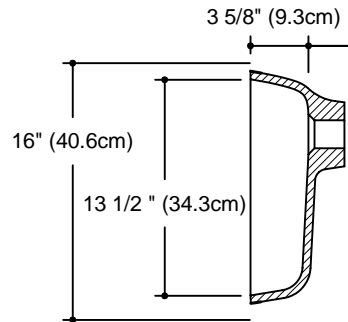
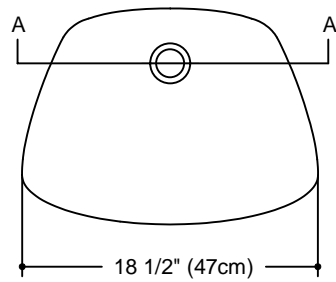


GRUBER SYSTEMS RESERVES THE RIGHT TO CHANGE THIS INFORMATION AT ANY TIME WITHOUT PRIOR NOTICE. ISSUED BY GRUBER SYSTEMS INC., 25636 AVENUE STANFORD, VALENCIA, CA 91355, USA. COPYRIGHT 2002.



SECTION A-A

MOLD PART	CATALOG No.	DESCRIPTION		
MALE	20118	108 ACCESS RECTANGLE		
FEMALE	401188	FFF-108 ACCESS RECTANGLE		
NAME	108 ACCESS RECTANGLE			
CAST WEIGHT		SCALE 1" = 1' 0"	DATE 3-26-10	PAGE No.